

Pixel Power Injection Board v.1a

This passive device is used to easily inject DC power into a string or strand of LED pixels. It supports both 3-wire(asynchronous) type pixels such as WS2811, WS2812, etc. And 4-wire(synchronous) type pixels such as WS2801, LPD8806, APA102. There are two methods of connecting them to a power supply, screw down terminals for stripped wires, or a the standard 5.5mm x 2.1mm barrel jack. The screw down terminals support up to 15 amps input, and the barrel receptacle supports up to 5 amp input. The device runs on a wide voltage range of 3.3v to 24v.

Features:

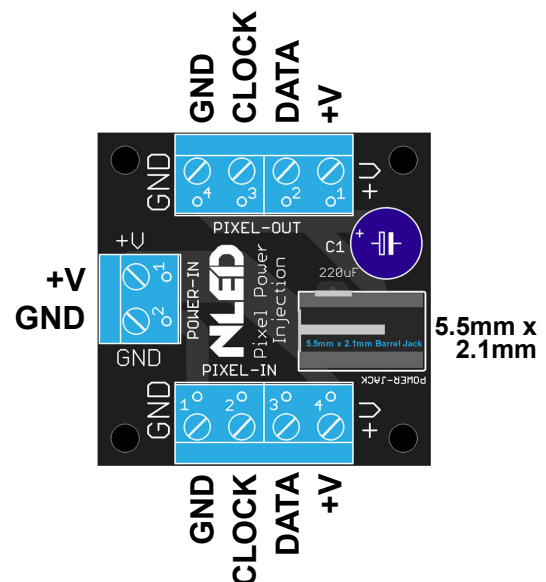
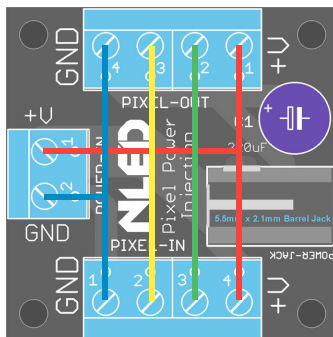
- Supports all pixel chipsets. WS2801, WS2811, WS2812, APA102, APA104, LPD6803, LPD8806, etc.
- Easy to install and work with.
- Small form factor.
- Supports up to 24 volts.
- Allows up to 15 amps of power to be injected into the strand of pixels.
- Onboard tank capacitor for power smoothing and support over distance.
- Standard 5.5mm x 2.1mm barrel plug style power supplies can be used.

Specification:

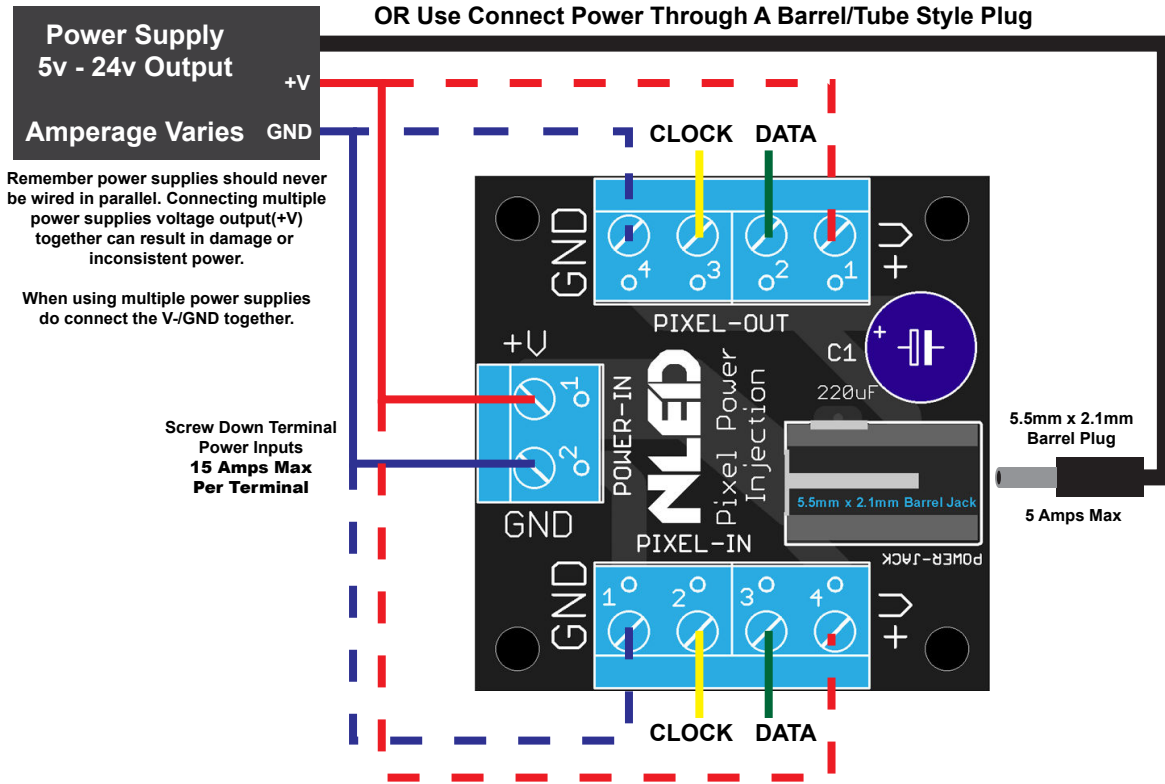
Input Voltage(+V)	3.3v - 24v
Barrel Receptacle	5.5mm x 2.1mm
Barrel Receptacle Amperage	5 Amps
Screw Down Terminals	5.08(0.2") spacing
Screw Down Terminal Amperage	15 Amps
Overall Dimensions	1.5" x 1.5 x 0.5"

Device Pinout:

Equivelant Connections:



Power Connection



Common Usage

